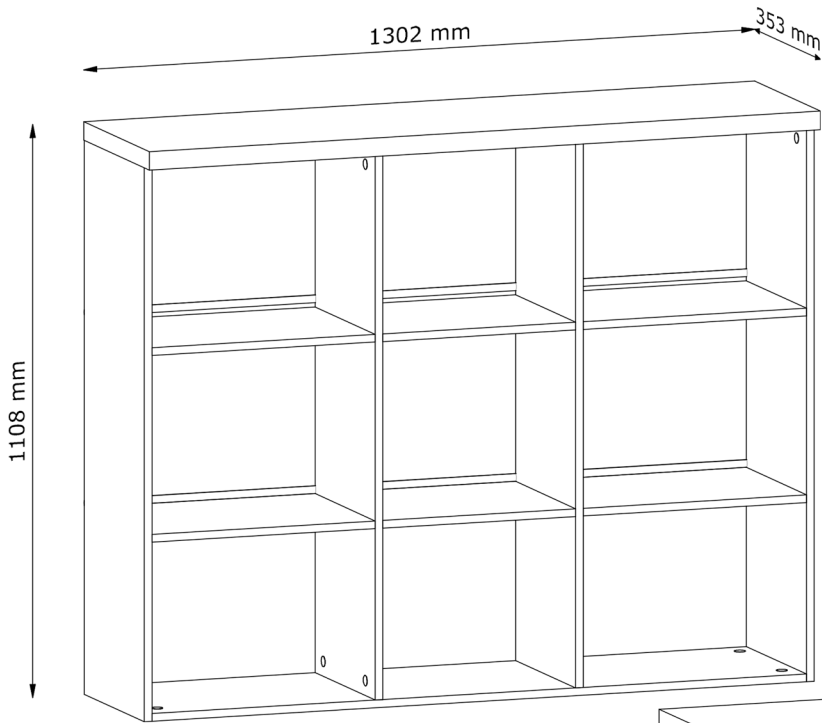
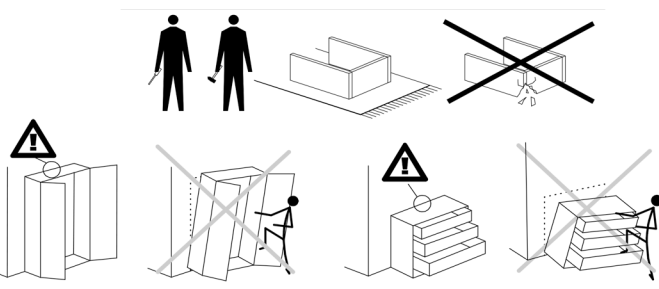
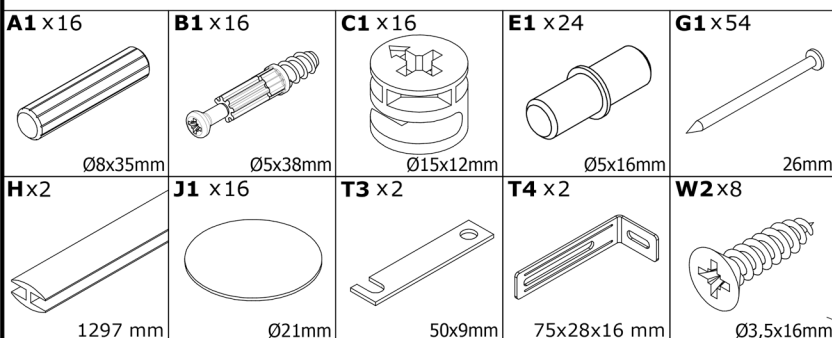
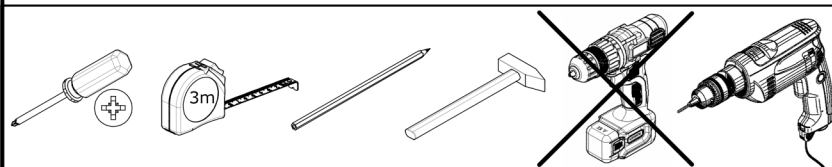
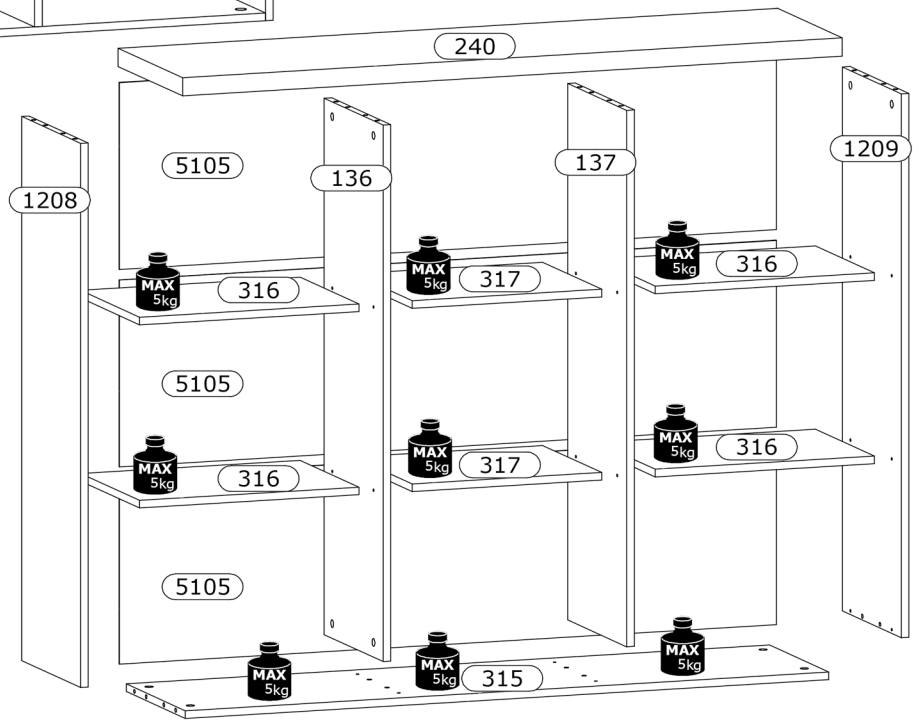


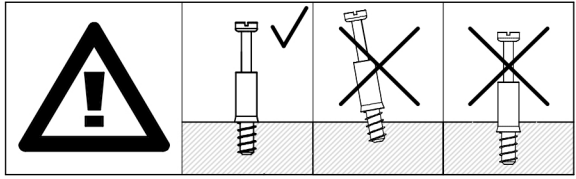
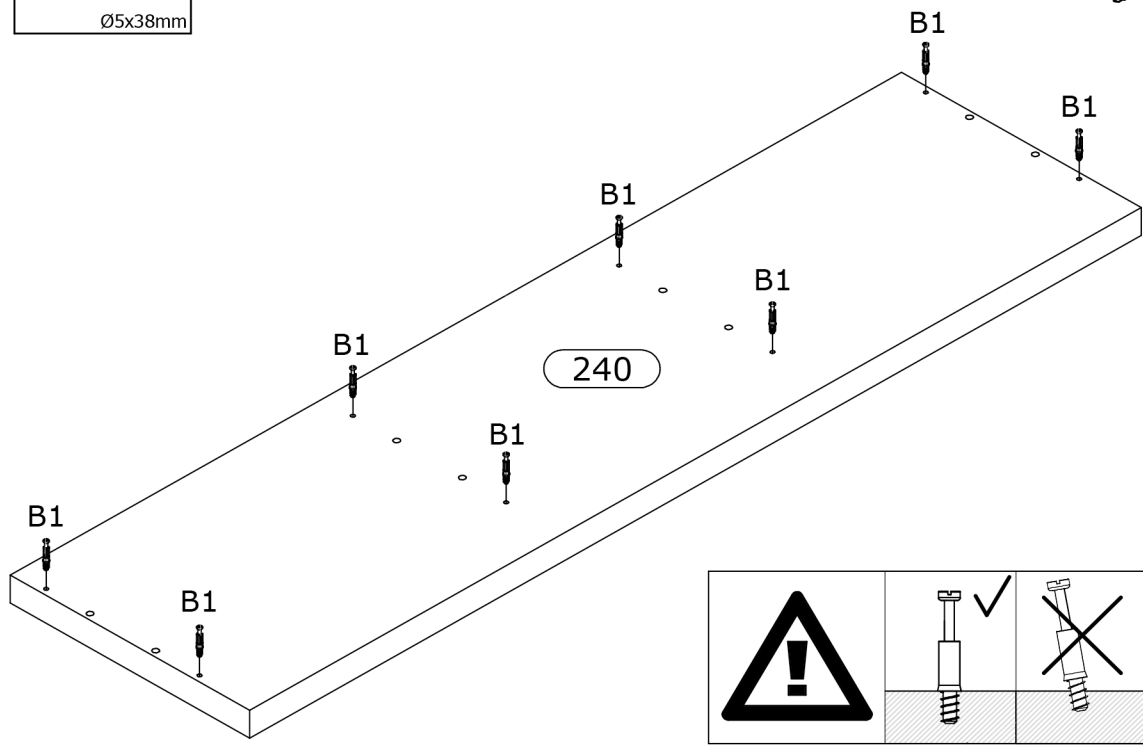
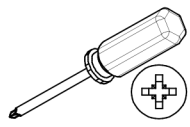
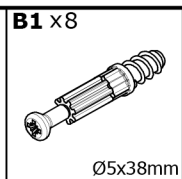
# R2D SA



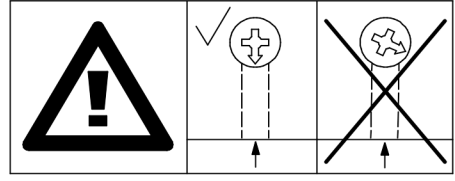
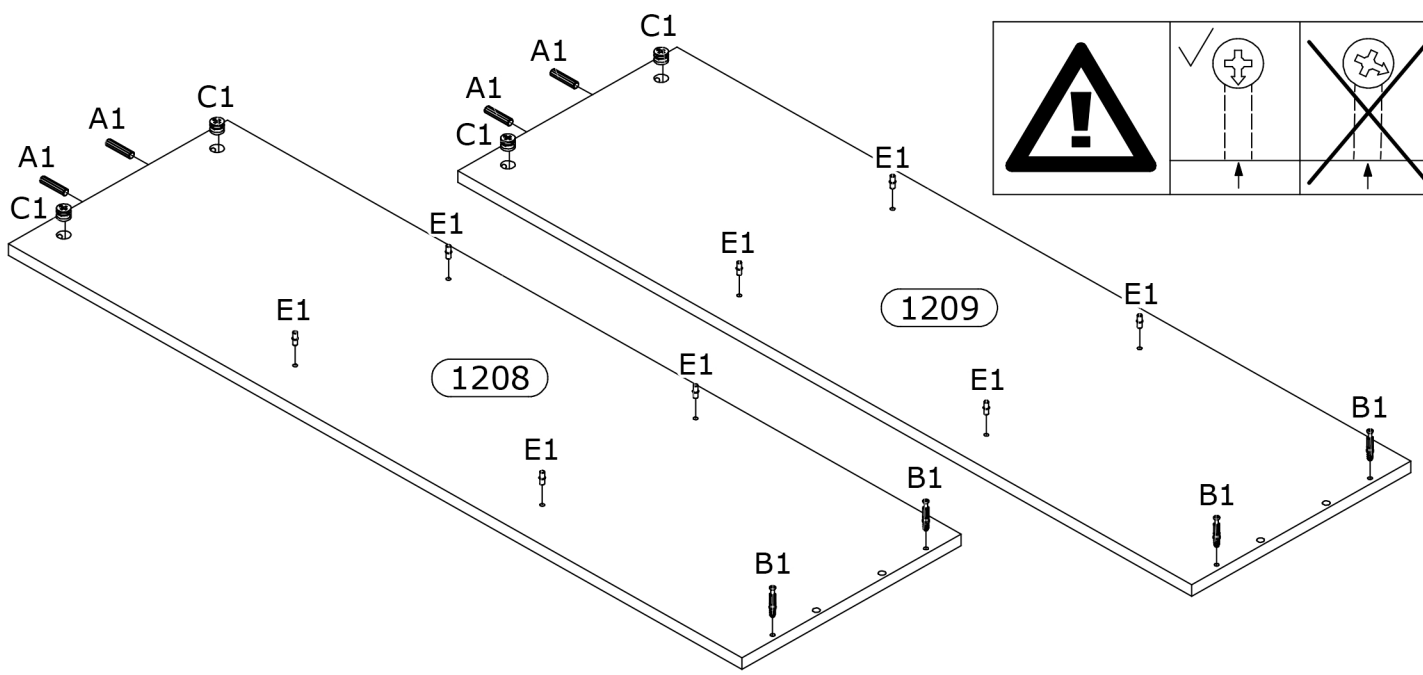
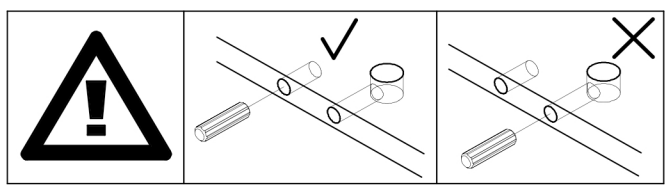
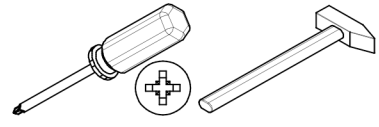
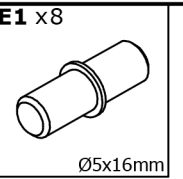
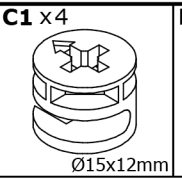
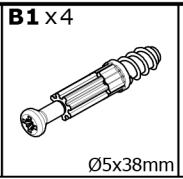
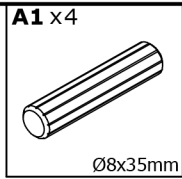
No	L[mm]	W[mm]	H[mm]	PCS	BOX
1208	1072	320	15	1	1/1
1209	1072	320	15	1	1/1
136	1057	320	15	1	1/1
137	1057	320	15	1	1/1
240	1302	350	36	1	1/1
315	1270	320	15	1	1/1
316	433	320	15	4	1/1
317	374	320	15	2	1/1
5105	368	1297	2,5	3	1/1



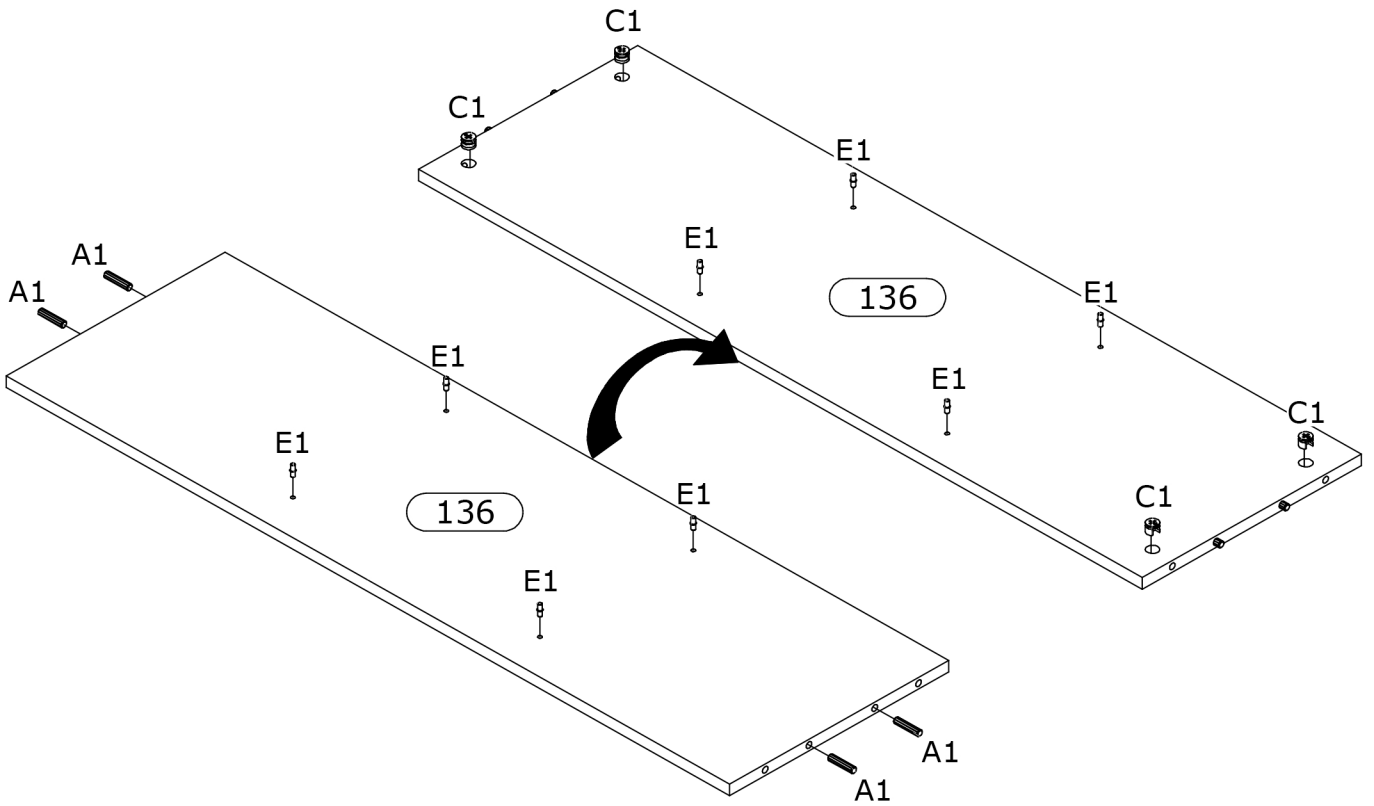
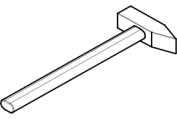
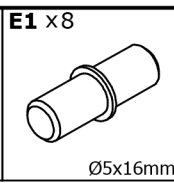
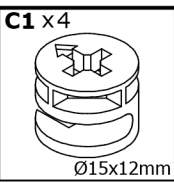
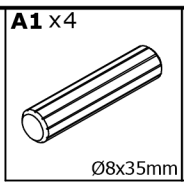
**1**



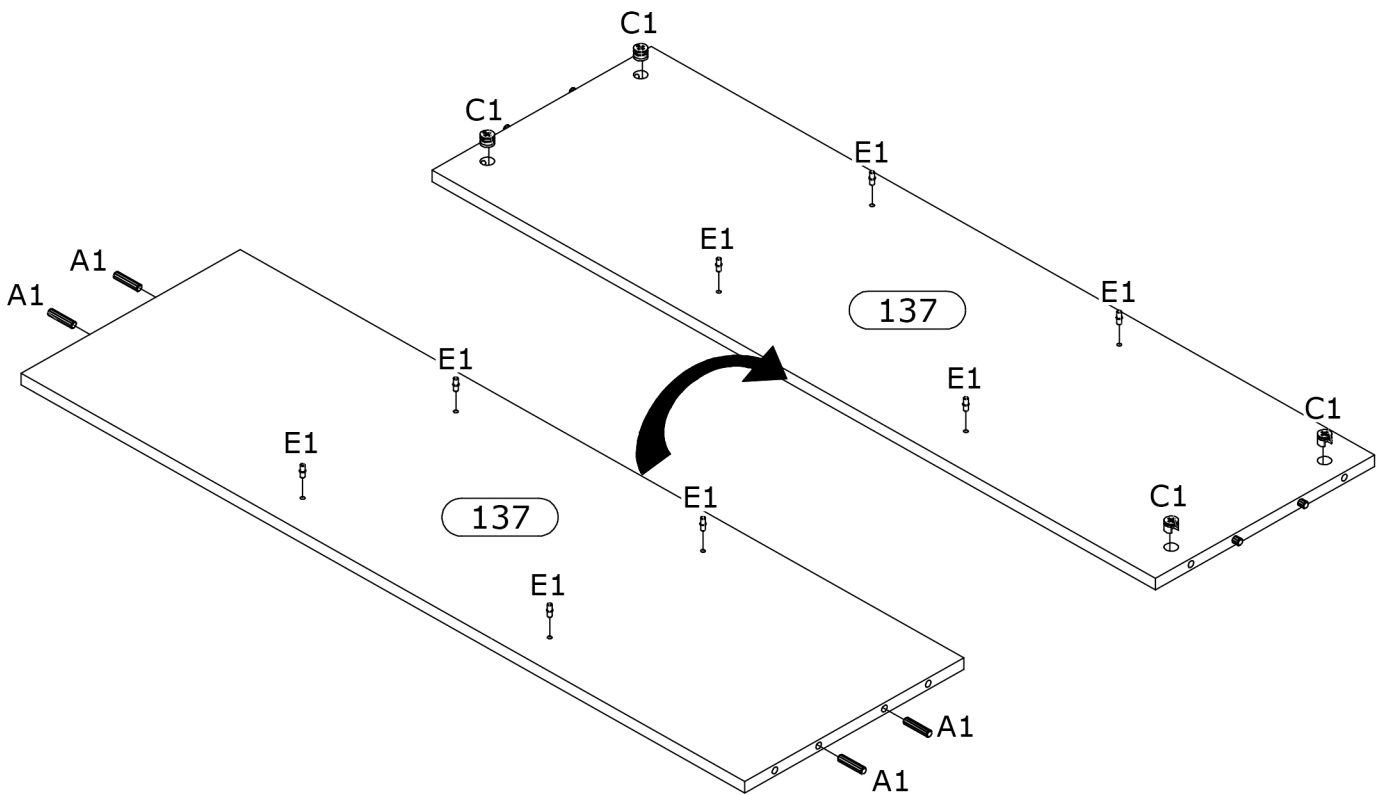
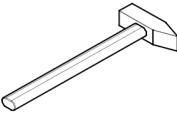
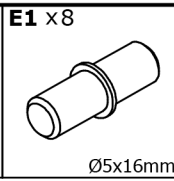
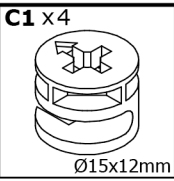
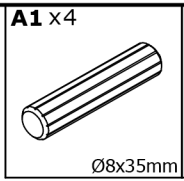
**2**



**3**

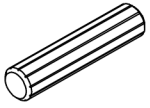


**4**



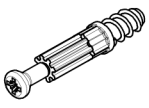
5

A1 x4



Ø8x35mm

B1 x4

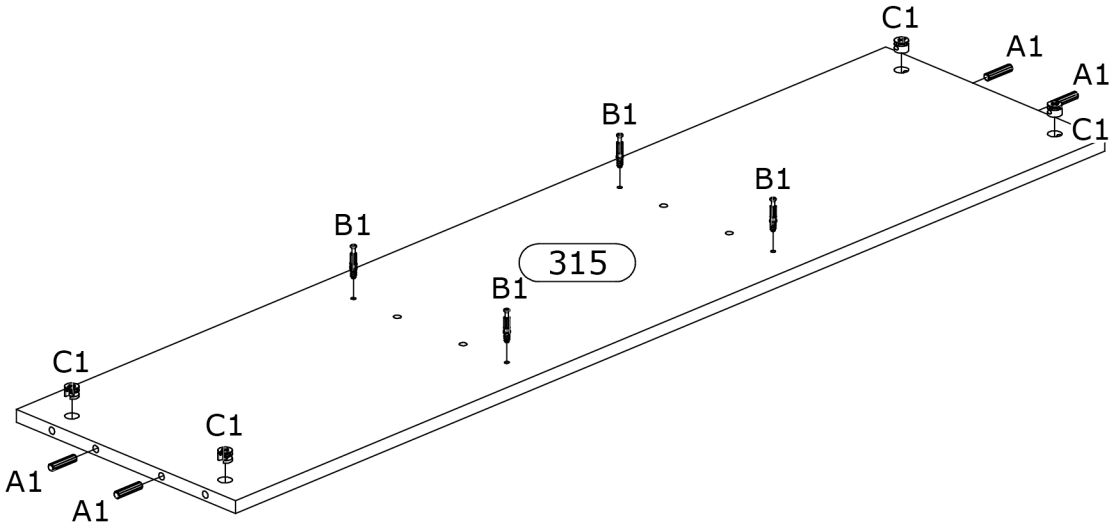
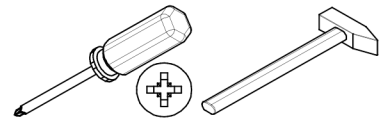


Ø5x38mm

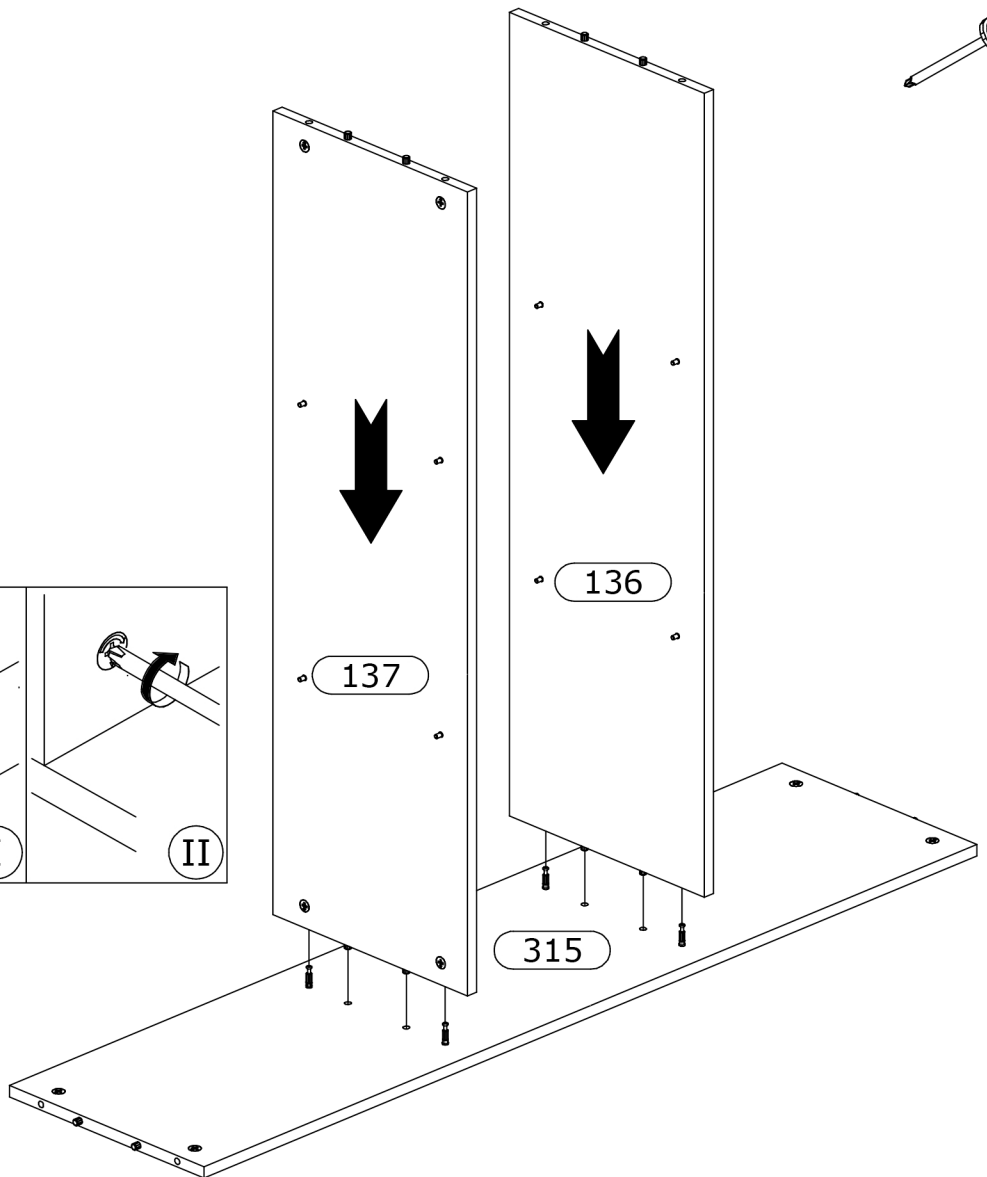
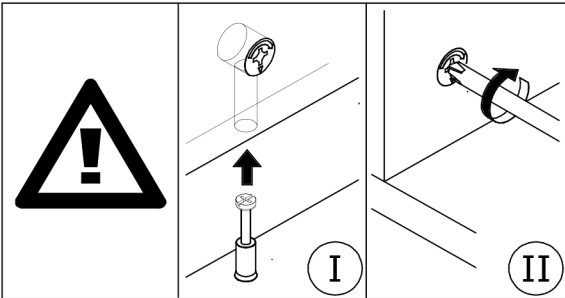
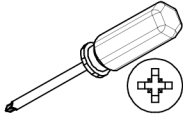
C1 x4



Ø15x12mm

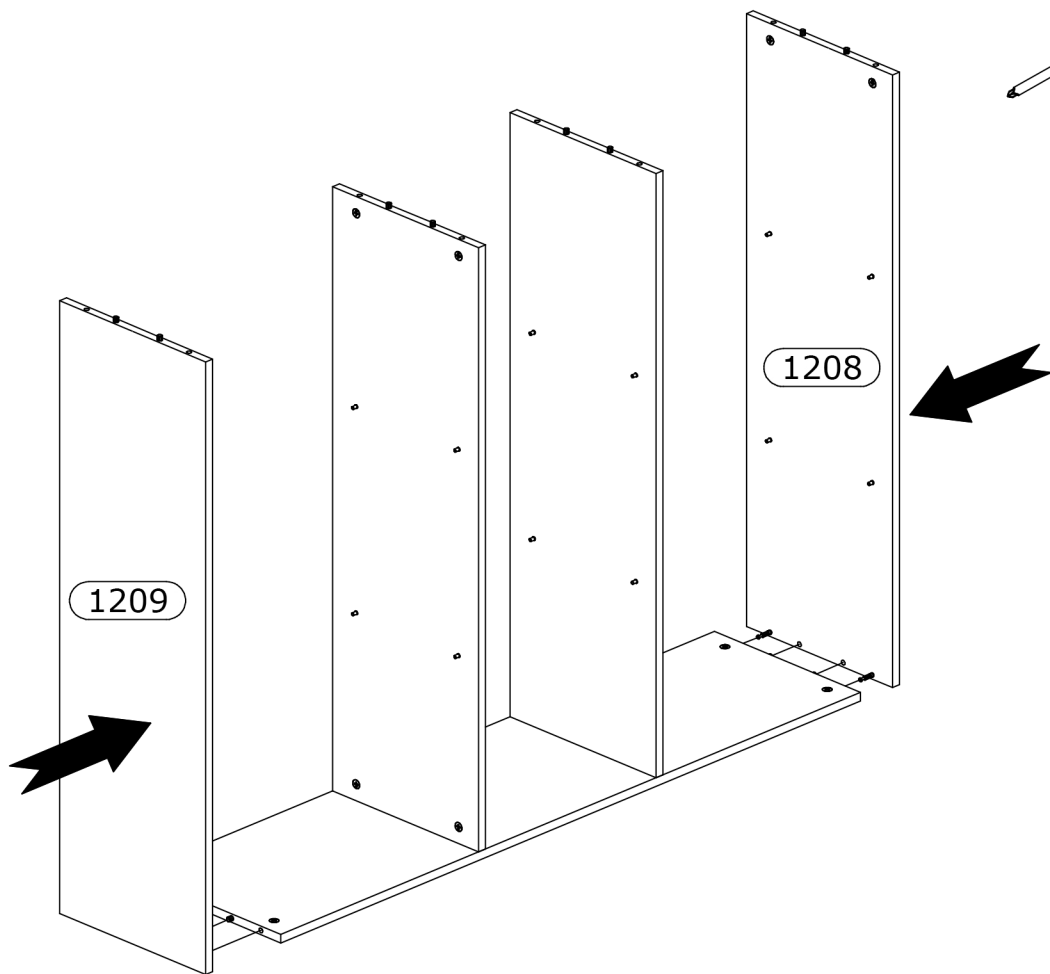


6

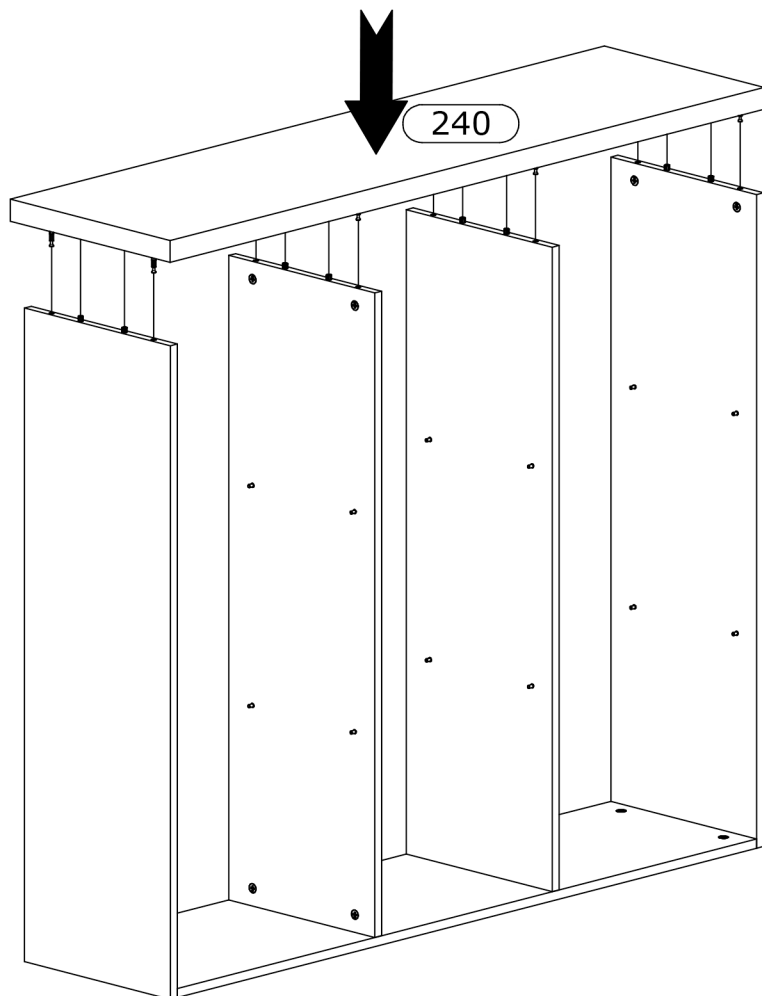




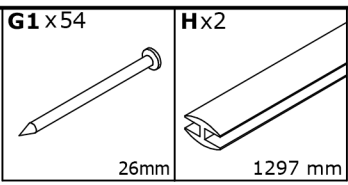
7



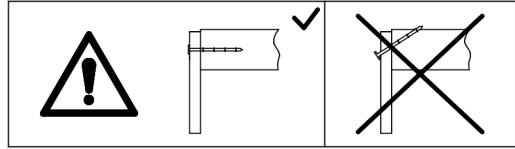
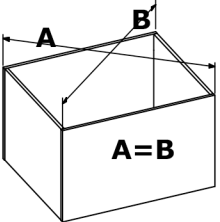
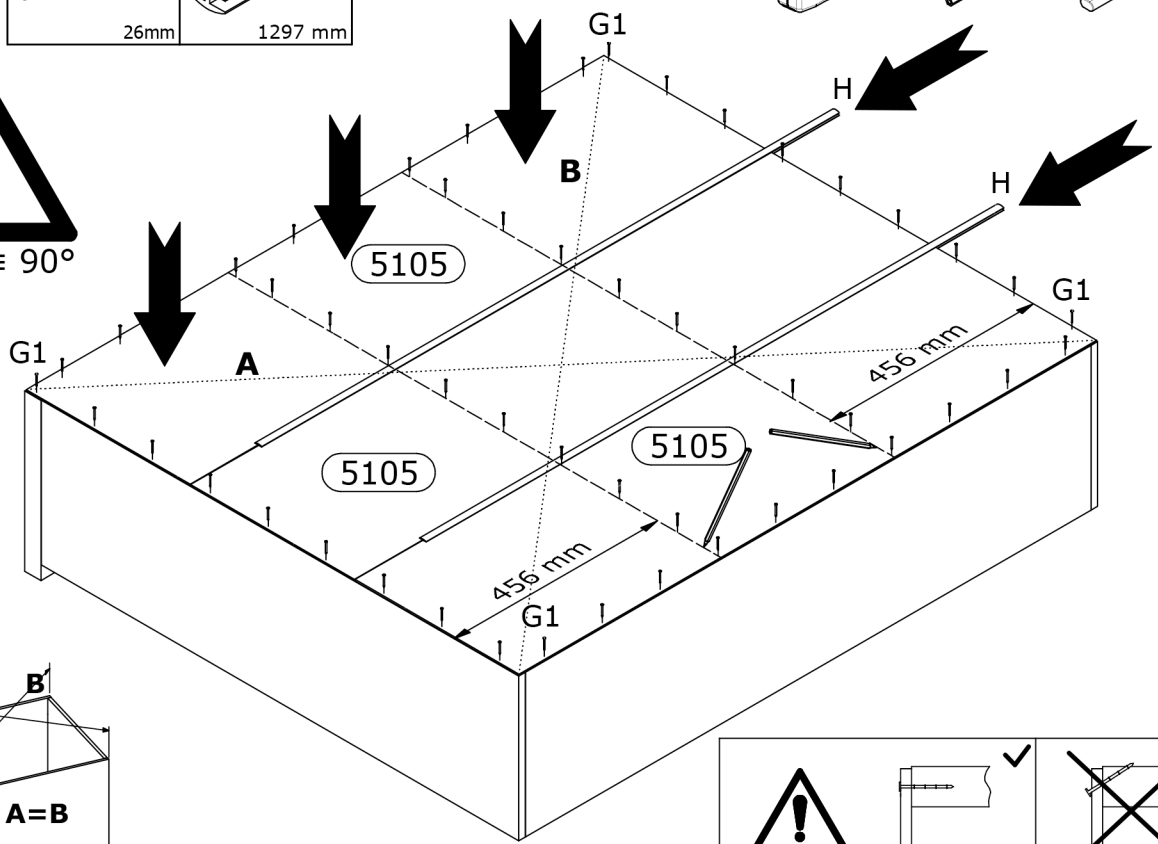
8



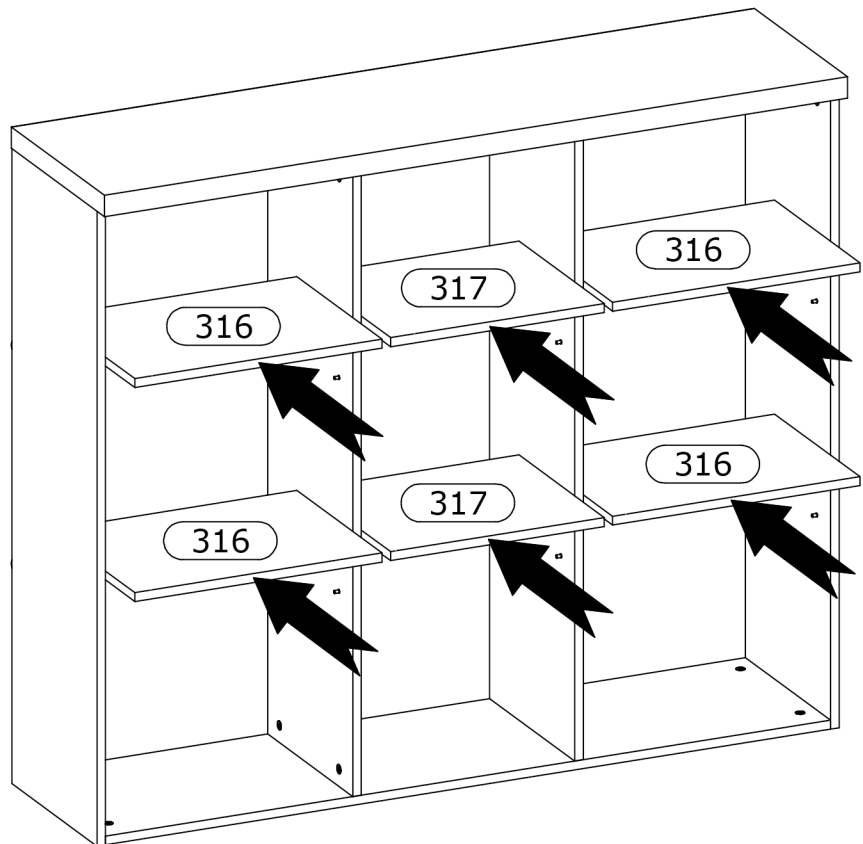
9



$A=B \equiv 90^\circ$



10

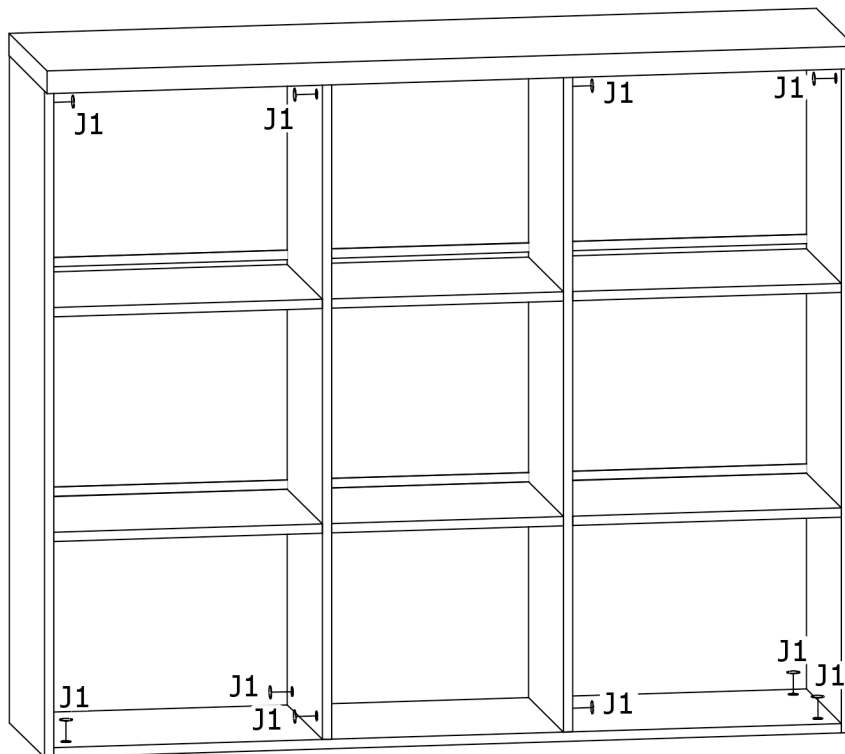


# 11

J1 x16

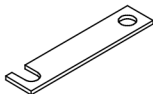


Ø21mm



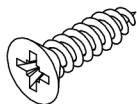
# 12

T3 x2

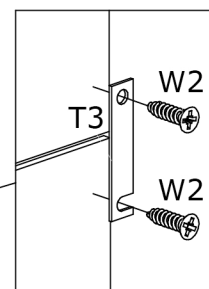
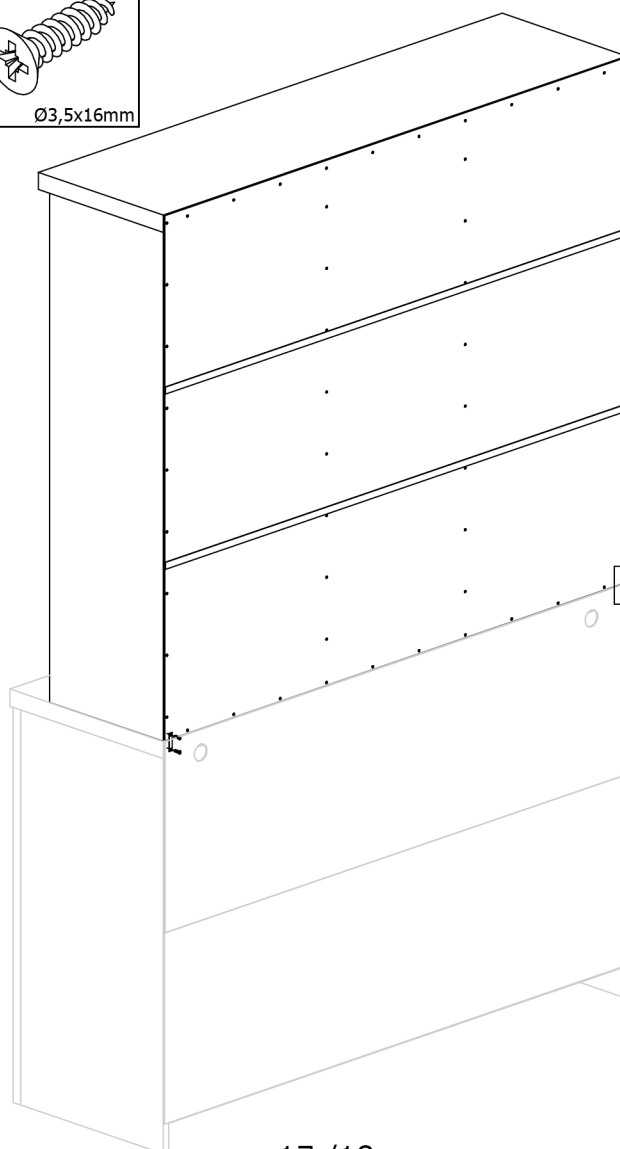
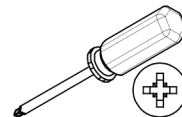


50x9mm

W2 x4

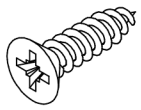


Ø3,5x16mm



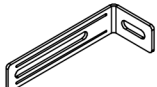
# 13

W2 x 4



Ø3,5x16mm

T4 x 2



75x28x16 mm

